

APPLICATION

For the use of direct flood and/or accent lighting. To install as an above grade fixture. Perfect for applications desiring a dynamic color changing effect. Recommended for retail, modern residential, hospitality and entertainment installations. RGBW design allows fine-tuned pastel colors, saturated hues without sacrificing illumination brightness.

ELECTRICAL

Power Input: Low voltage power
Power Input/Data Connection: 6-wire hardwire connection
Power Consumption: See ordering guide.

PHYSICAL

Environment:
Wet location IP67
Construction:
Made of die-cast aluminum to protect light emitting diodes, other electronics and preserve optical alignment.
Steel screws installed on face plate for a tight gap-free installation onto housing.
Cast aluminum tightenging allows for 90° Tilt and 360° Rotation.

Housing Finish:
Painted black to maximize color mixing and eliminate stray light leaks.

L70 Life:
50,000 Hours for ambient temperatures under 95°F.
Temperature Rating: 0°F - 104°F Ambient.

COLOR DETAILS

DirectDMX Color Control:
Color controlled with USITT DMX512A Standard Protocol to work with Coloronix or 3rd Party DMX Systems such as the Color Kinetics® iPlayer 3.

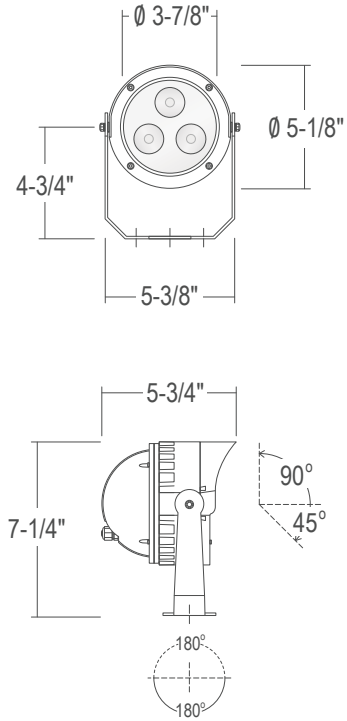
Wireless Bluetooth Control:
Bluetooth control via wireless.
Calls up standard colors or shows. One Bluetooth enabler per zone.

Static Color Available:
All Std. Colors, Consult Factory.

Dimming:
Smooth and flicker-free dimming of all colors down to 1% using Patented Color Mixing and Dimming technologies developed at Philips Color Kinetics®

Color Mixing:
Using InternaMix™ proprietary technology, colors are efficiently blended together through an internal mixing chamber. The one-color output reduces unsightly views of isolated Red, Green and Blue Diodes for a seamless rainbow-free appearance.

LED Die Colors:
Red (620-635nm) Blue (450-465nm)
Green (520-535nm) Neutral White (5000k)



ORDERING

example:
SS3-RGBW-3R-B60

HOUSING	BEAM SPREAD
SS3-RGBW-3R	BLANK: 25 DEGREE OPTIC
	-B60: 60 DEGREE OPTIC

SAFETY

Complies to UL1598 and ANSI/UL 8750.

FOOT CANDLE: SS3-RGBW-R3

Height	FC	Beam Spread
10'	39	47"
15'	16	56"

FOOT CANDLE: SS3-RGBW-R3-B60

Height	FC	Beam Spread
10'	3.6	57"
15'	1.8	66"



LD533V024-1227-96-JB
96W UL Listed Class II Power Supply
120V-277V Input
Electrical Junction Box Included
Each power supply energizes up to 6 lights.