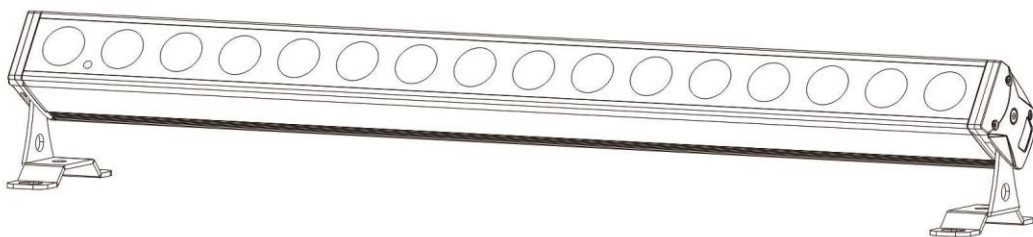


coloronix[®]

COLORFUL ARCHITECTURAL ILLUMINATION

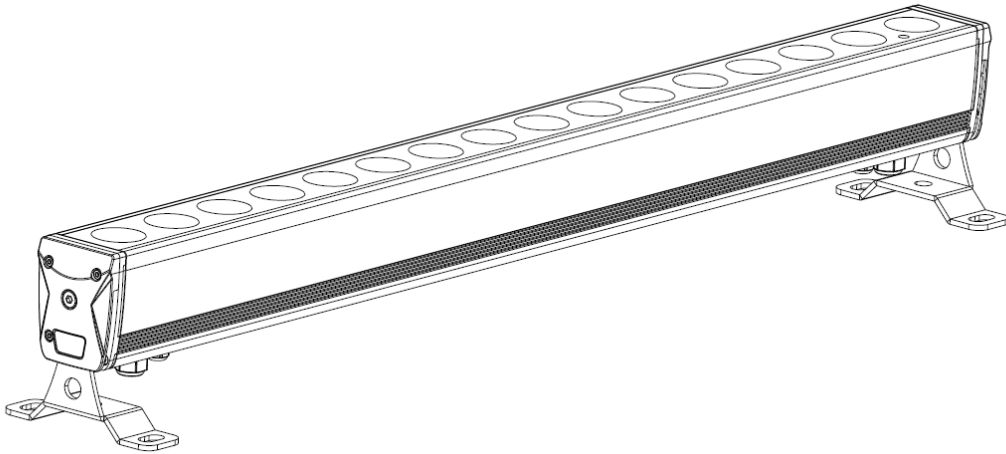


SS2-5L-16-RGBW

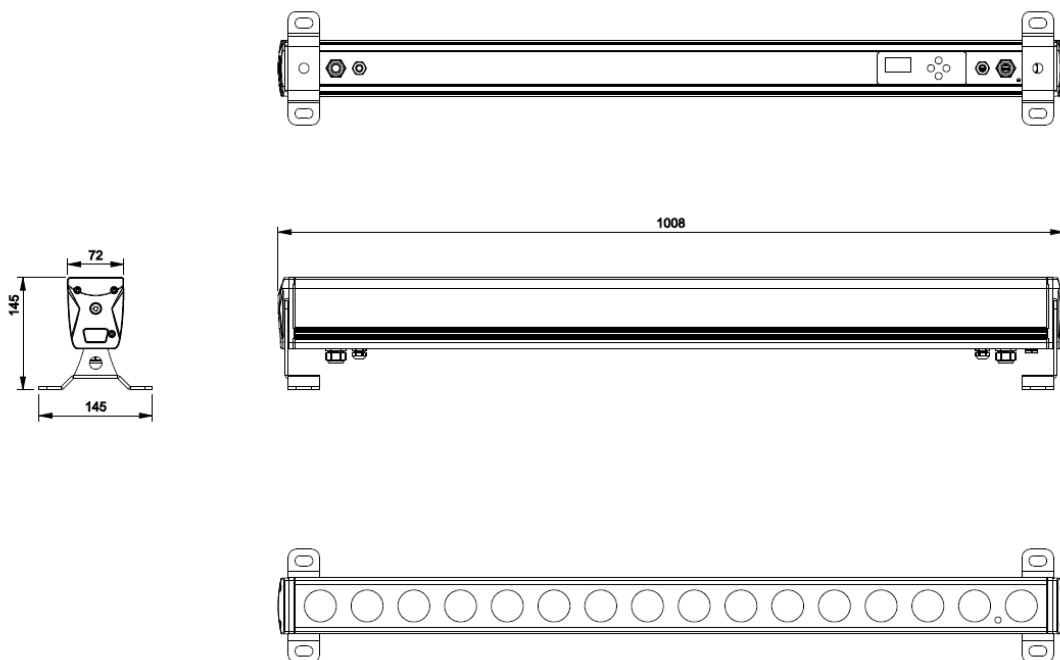
User Manual

Please read the manual before operating.

Picture



Dimension



This fixture has affluent effect programs even though it is easy to operate.

- Auto run mode
- Built-in program mode
- DMX mode
- Slave mode
- Dimming mode
- Setting mode
- Information mode

Menu

Menu 1	Menu 2	Menu 3	Menu 4	Functions
1:DMX	1)Address	001-512		Console mode
	2)Channels	4/6/9-CH		
2:Slave				Slave mode
3:AUTO				Auto run mode
4:Built-in Program	1)Effect mode	1-14		Built-in program mode
	2)Static color (Effect mode:1)	0-15		Static color
	2)Speed (Effect mode:2-14)	1-100		Speed
	3)Strobe speed	0-99		Strobe
5:Dimmer	1)Red	000~255		Dimming mode
	2)Green	000~255		
	3)Blue	000~255		
	4)White	000~255		
6:Settings	1)Curves Select:	1- 4		Dimming curve selection
	2)Dimmer Speed:	Fast/ Smooth		Dimming speed selection
	3)Dmx Fail:	Off/Hold		DMX signal option
	4)Dmx Sync:	On/Off		DMX Synchronizati on setting
	5)Lock	Yes/No		Standby lock screen
	6)Factory:	Yes/No		Restore factory set
	7)Language	English/Chinese		Language selection
7:Information	Versions: Vx.x.x			Version display
	Temperature: xx °C			Temperature detection
	UID:xxxxxxxxxxxx			Light UID

A. OPERATION

Operation Mode Transformation

Press the **MODE**, **UP** or **DOWN** button to transform menus

B. Operation Mode illustration

a. DMX mode

Press the setup button to enter and select by the up or down button.

As followings:

DMX	
Address :	001~512
Channels :	4/6/9-ch

DMX Channel sheet

Function	DMX Value	Setting	4 Channels	6 Channels	9 Channels
Dimmer	000-255	0~100%		1	1
Red	000-255	0~100%	1	2	2
Green	000-255	0~100%	2	3	3
Blue	000-255	0~100%	3	4	4
White	000-255	0~100%	4	5	5
Color Preset	0~15	No function			6
	16~31	R(255)G(0)B(0)W(0)			
	32~47	R(0)G(255)B(0)W(0)			
	48~63	R(0)G(0)B(255)W(0)			
	64~79	R(0)G(0)B(0)W(255)			
	80~95	R(255)G(150)B(0)W(0)			
	96~111	R(255)G(180)B(0)W(0)			
	112~127	R(255)G(255)B(0)W(0)			
	128~143	R(255)G(0)B(255)W(0)			
	144~159	R(255)G(0)B(140)W(0)			
	160~175	R(0)G(255)B(255)W(0)			
	176~191	R(255)G(0)B(0)W(210)			
	192~207	R(0)G(255)B(0)W(210)			
	208~223	R(0)G(0)B(255)W(210)			
	224~239	R(255)G(200)B(40)W(90)			
240~255	R(255)G(255)B(255)W(255)				
Program	0	No function			7
	1~19	Program 02			
	20~39	Program 03			

	40~59	Program 04				
	60~79	Program 05				
	80~99	Program 06				
	100~119	Program 07				
	120~139	Program 08				
	140~159	Program 09				
	160~179	Program 10				
	180~199	Program 11				
	200~219	Program 12				
	220~239	Program 13				
	240~255	Program 14				
Speed	0-255	Slow to fast	Program 02-14			8
Strobe	0-10	No function			6	9
	11-255	Strobe speed:slow to fast				

b. Slave mode “SLAV”

After connecting the DMX cable, the light will run with the main fixture at the same step.

c. Auto run mode“AUTO”

Lights can circularly run in according with the speed and strobe of built-in Program Mode:02~ Program Mode:14.

d. Built-in Program

There are 14 built-in programs. Please press the setup button to enter and up or down button to select them. As followings:

1、 Mode:01 Static color effect program

Mode:0	Color :	00~15
1	Strobe:	00~99

0.Black	1.Red	2.Green	3.Blue	4.White	5.Amber	6.Orange	7.Yellow
8.Purple	9.Pink	10.Cyan	11.Light Red	12.Light Green	13.Light Blue	14.Warm White	15.Cold White

2、 Mode:02~14 built-in effect program

Mode:02~14	Speed:	001~100
	Strobe:	00~99

e. Dimming mode “Dimmer”

Please press the setup button to enter and select by the up or down button. As followings:

Dimmer	Red:	000~255
	Green:	000~255
	Blue:	000~255
	White:	000~255

f. Setting mode

Please press the setup button to enter and select by the up or down button. As followings:

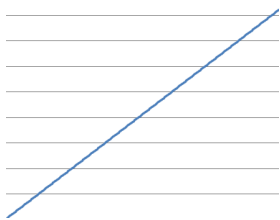
Settings	Curves Select
	Dimmer Speed
	DMX Fail
	DMX Sync
	Lock
	Factory
	Language

1: dimming curve setting

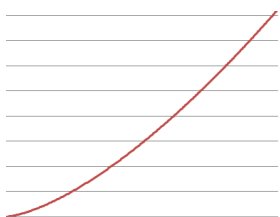
There are four available dimming curves. Please press the setup button to enter and select by the up or down button. As followings:

Curves Select	1)linear
	2)Square Law
	3)Inv Square Law
	4)S-Type

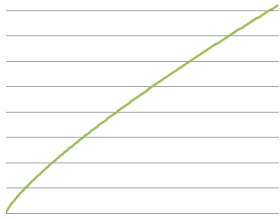
a.linear dimming



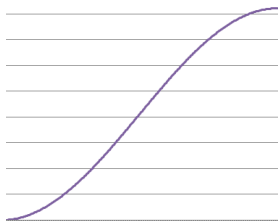
b.Square Law dimming



c. Inv Square Law dimming



d. S-curve dimming



2: Dimming speed setting

Please press the setup button to enter and select by the up or down button. As followings:

Dimmer Speed	Fast
	Smooth

3: DMX Fail console DMX signal clear.

Please press the setup button to enter and select by the up or down button. As followings:

DMX Fail	Off	(DMX signal connection fail, light off)
	Hold	(DMX signal connection fail, lighting keeps current state)

4: DMX Sync

In DMX mode, several lights can also operate at the same step, even though no DMX control for a period of time.

Please press the setup button to enter and select by the up or down button. As followings:

DMX Sync	On
	Off

5: Standby lock screen

Lock	Yes
	No

6: Restore factory set

After carry out this function, all data will restore initial state.

Please press the setup button to enter and select by the up or down button. As followings:

Factory	Yes
	No

7: Language selection

Please press the setup button to enter and select by the up or down button. As followings:

Language	English
	Chinese

g. Information mode

Save related messages.

Information	Versions: x.x.x
	Temperature: xx°C
	UID: xxxxxxxxxxxx

C. RDM(Remote Device Management)

This product supports RDM communication protocol. RDM is a protocol that supports two-way traffic in the standard DMX512 protocol. RDM control devices, configurations and detect lights. Such as changing the DMX address of the fixture, DMX mode, and so on. Each RDM - compatible light can be identified by the built-in unique UID code.

Parameter ID	Discovery command	SET command	Get command
DISC_UNIQUE_BRANCH	*		
DISC_MUTE	*		
DISC_UN_MUTE	*		
DEVICE_INFO			*
SOFTWARE_VERSION_LABEL			*
DMX_START_ADDRESS		*	*
IDENTIFY_DEVICE		*	*
SUPPORTED_PARAMETERS			*
SENSOR_DEFINITION			*
SENSOR_VALUE			*

DMX_PERSONALITY		*	*
DMX_PERSONALITY_DESCRIPTION			*
RESET_DEVICE		*	
FACTORY_DEFAULTS		*	

E. Notice

- a. When the product powers on and shows version information, pressing the “MODE” and “SETUP” buttons for some seconds at the same time. After this, it can restore factory settings and the data will be initialized.
- b. If no press any button in 30s, it will lock screen automatically and show current operating mode, software version and temperature. Of course, it will unlock again by pressing the mode and setup button for 3s at the same time.
- c. If there are following two sides, to make sure the light can operate normally, please check whether lines of internal temperature control connect well.
 1. When the product powers up, the LED display screen shows temperature “×” .
 2. After the product starts up and lock the screen, it will show ×°C.
- d. In order to avoid any problem, please follow the user manual to make sure it is in safety operations.
- e. If the environment temperature is not in the using range, please reduce the using time of the full power to prevent products damaged because of overheating.
- f. In order to prevent the accident, please don't tear down the light under the condition of charging.